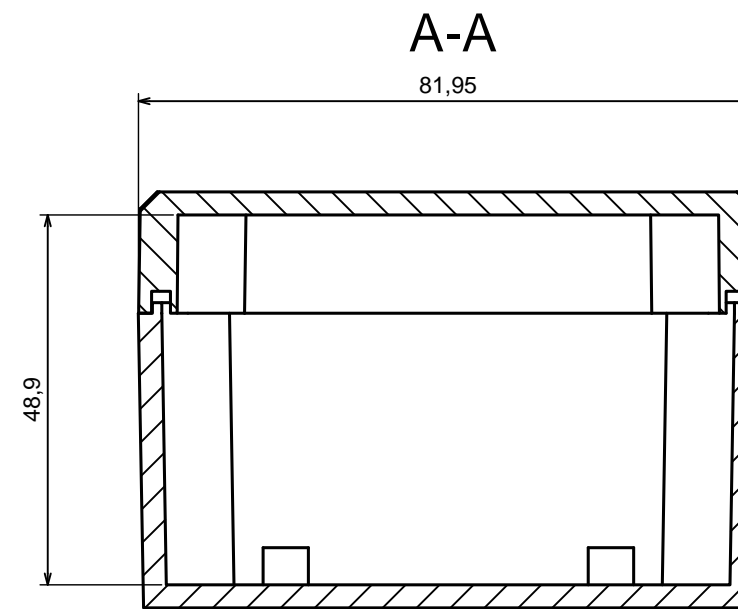
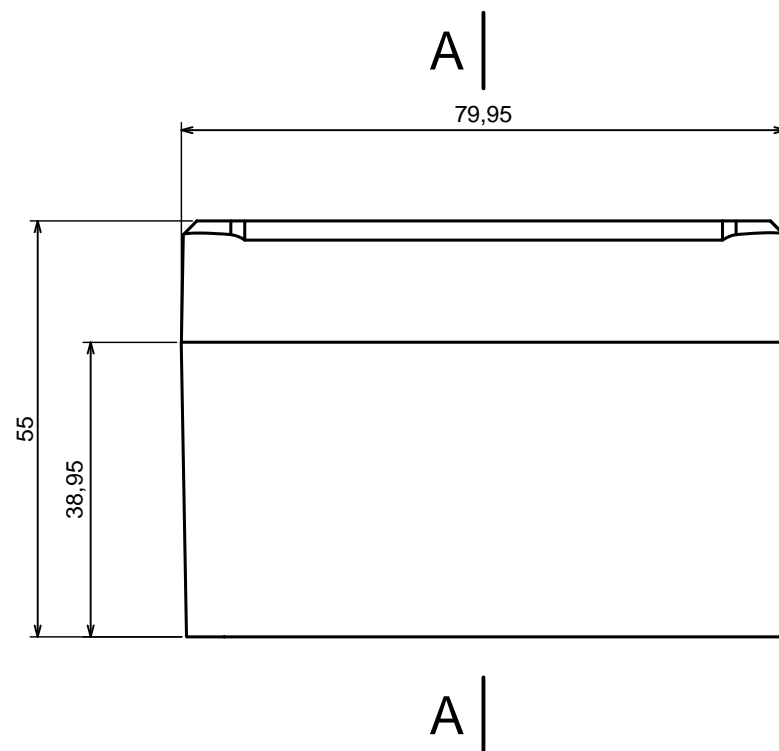

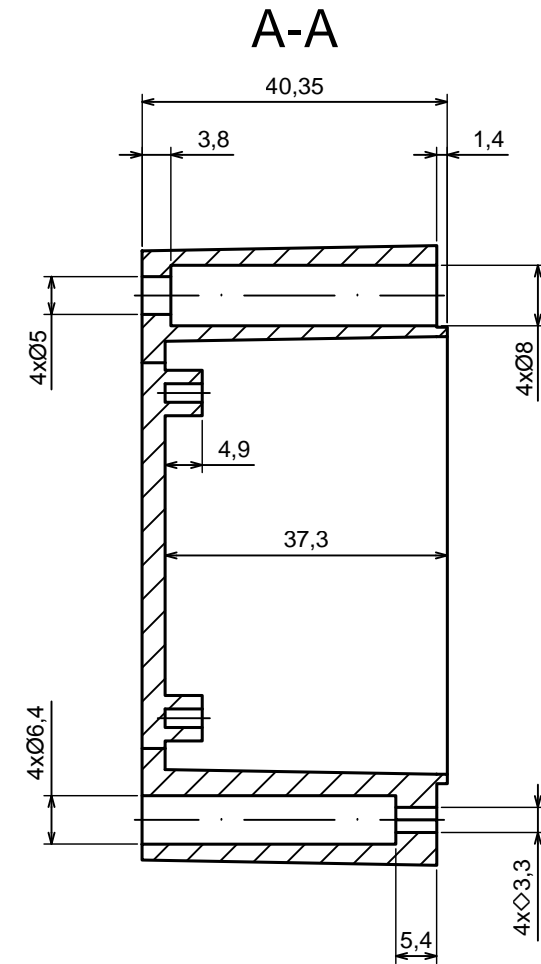
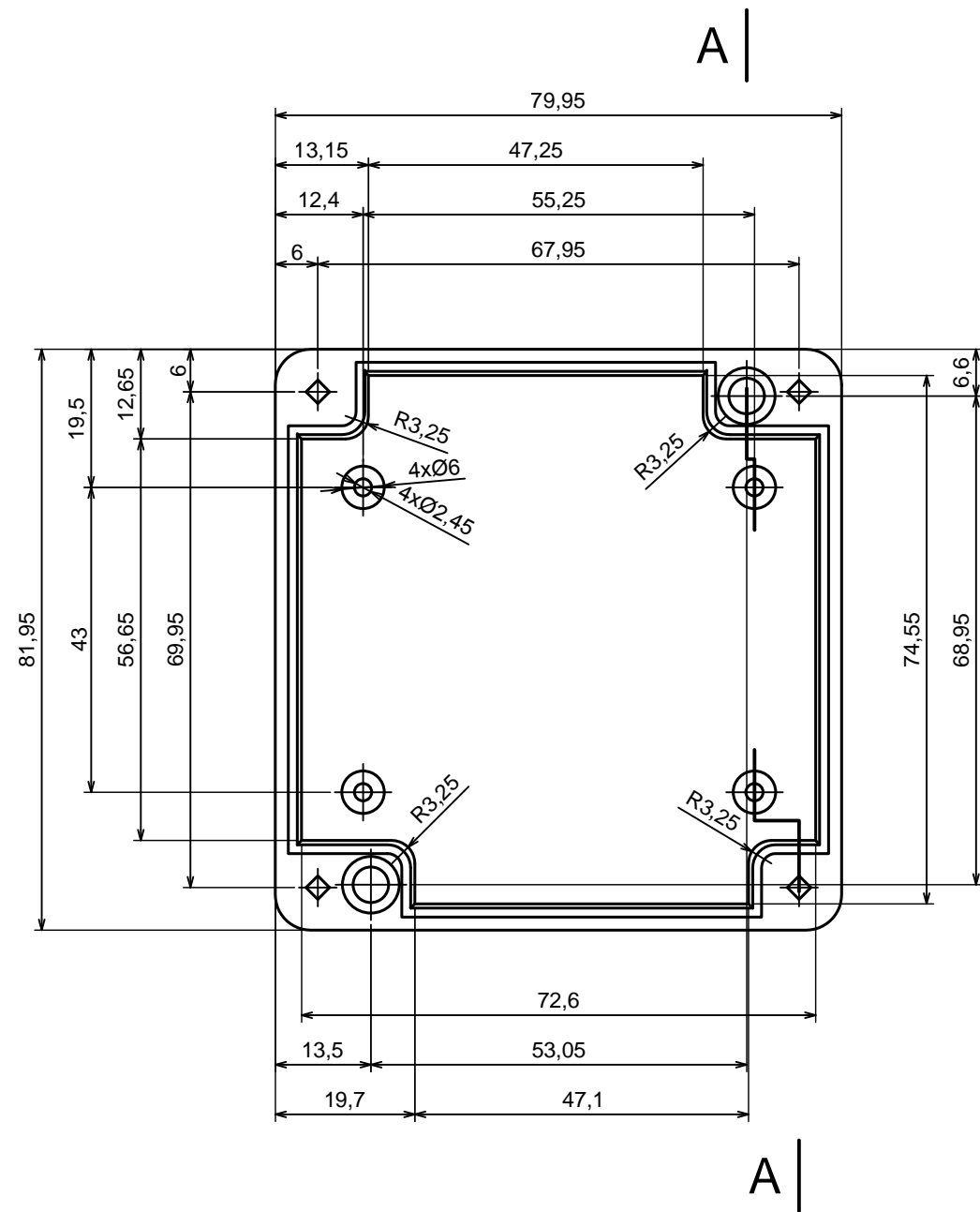



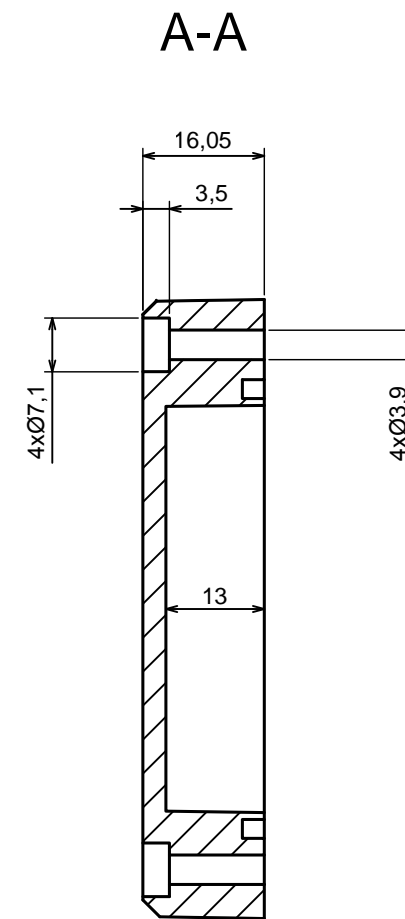
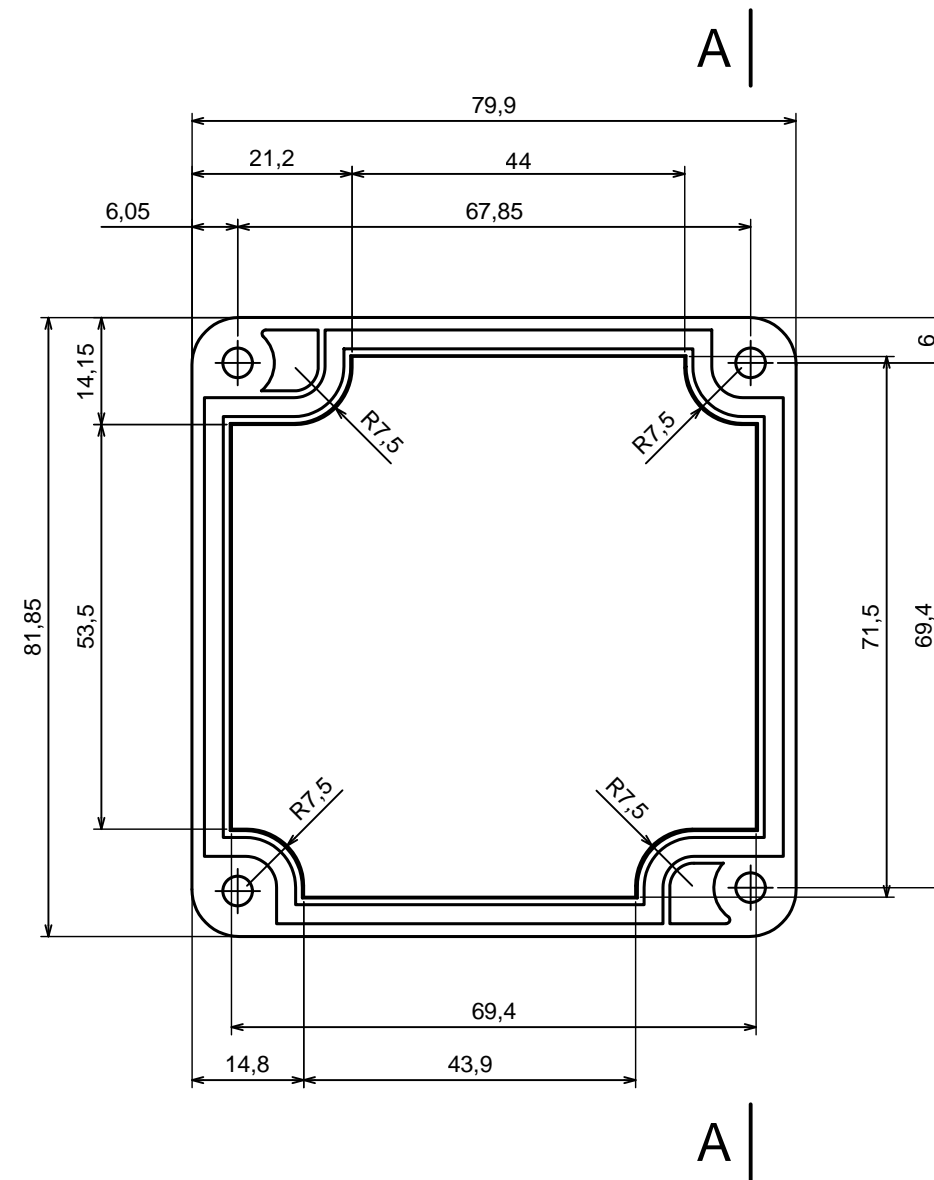
Typ: 55.0 x 80.0 x 82.0 mm



All rights reserved, Copyright Kradox 2016		
Product model	Enclosure Z111 - assembly	
Format: A3	Material: PS, ABS	
Scale 1:1	Tolerance: +/- 0.5	



All rights reserved, Copyright Kradox 2016		
Product model	Enclosure Z111 - base	
Format: A3	Material: PS, ABS	
Scale 1:1	Tolerance: +/- 0.5	



All rights reserved, Copyright Kradox 2016

Product model: Enclosure Z111 - cover

Format: A3 Material: PS, ABS

Scale 1:1 Tolerance: +/- 0.5

