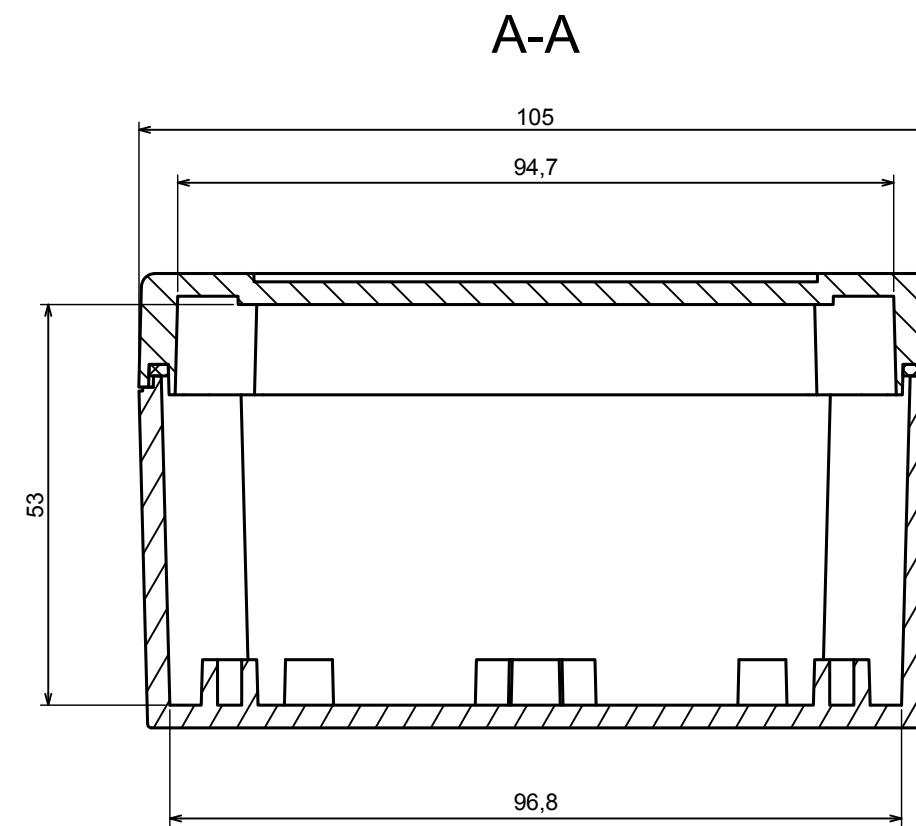
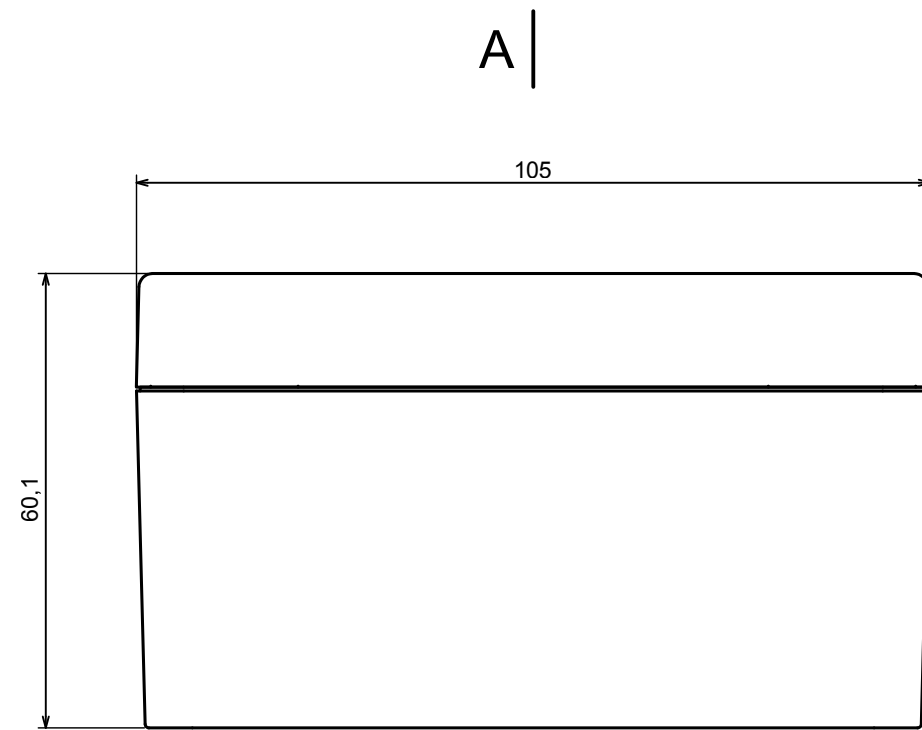


Typ: 105.7 x 240.0 x 191.3 mm



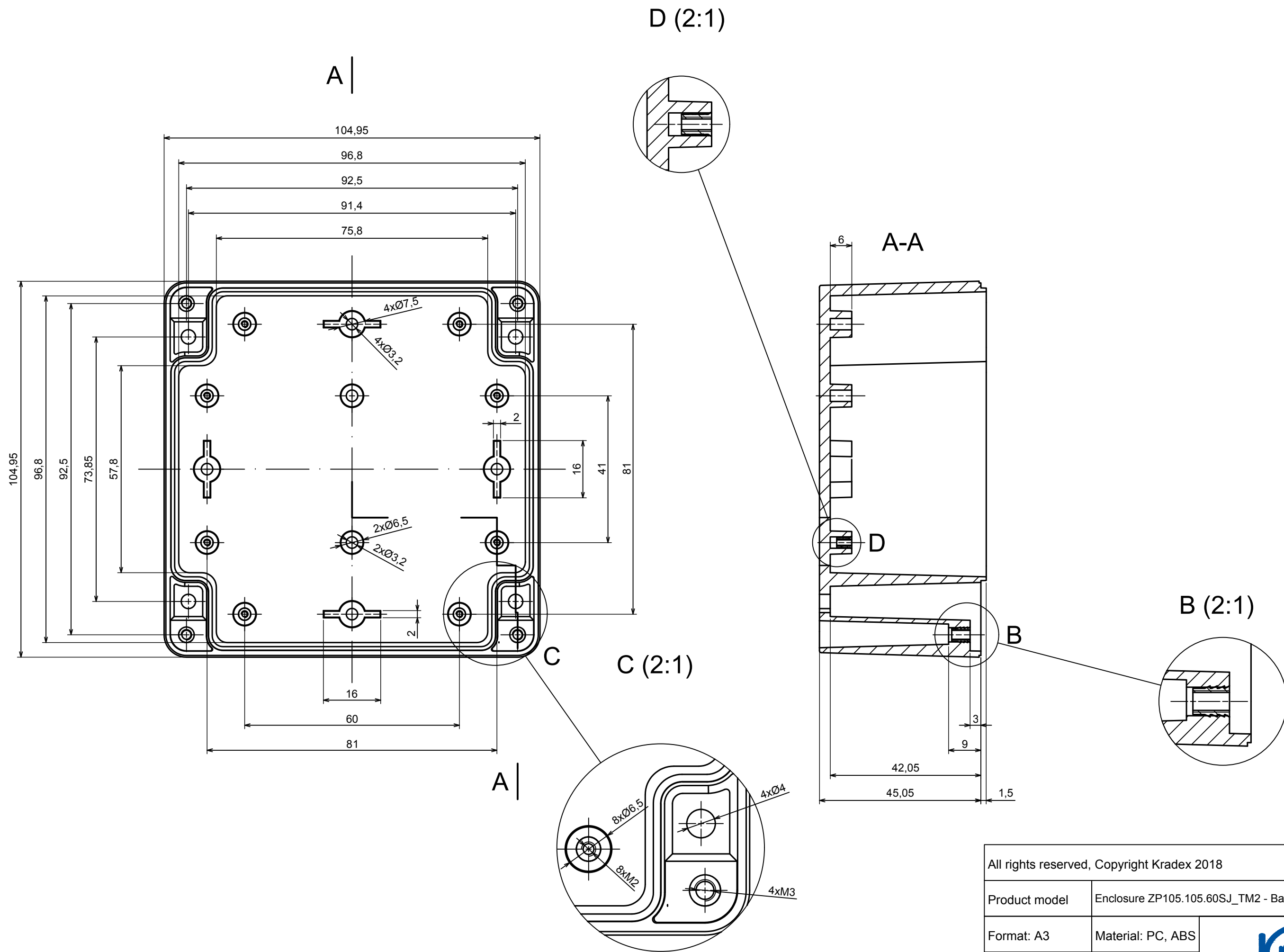
All rights reserved, Copyright Kradox 2018

Product model Enclosure ZP105.105.60SJ\_TM2 - Assembly

Format: A3 Material: PC, ABS

Scale 1:1 Tolerance: +/- 0.6





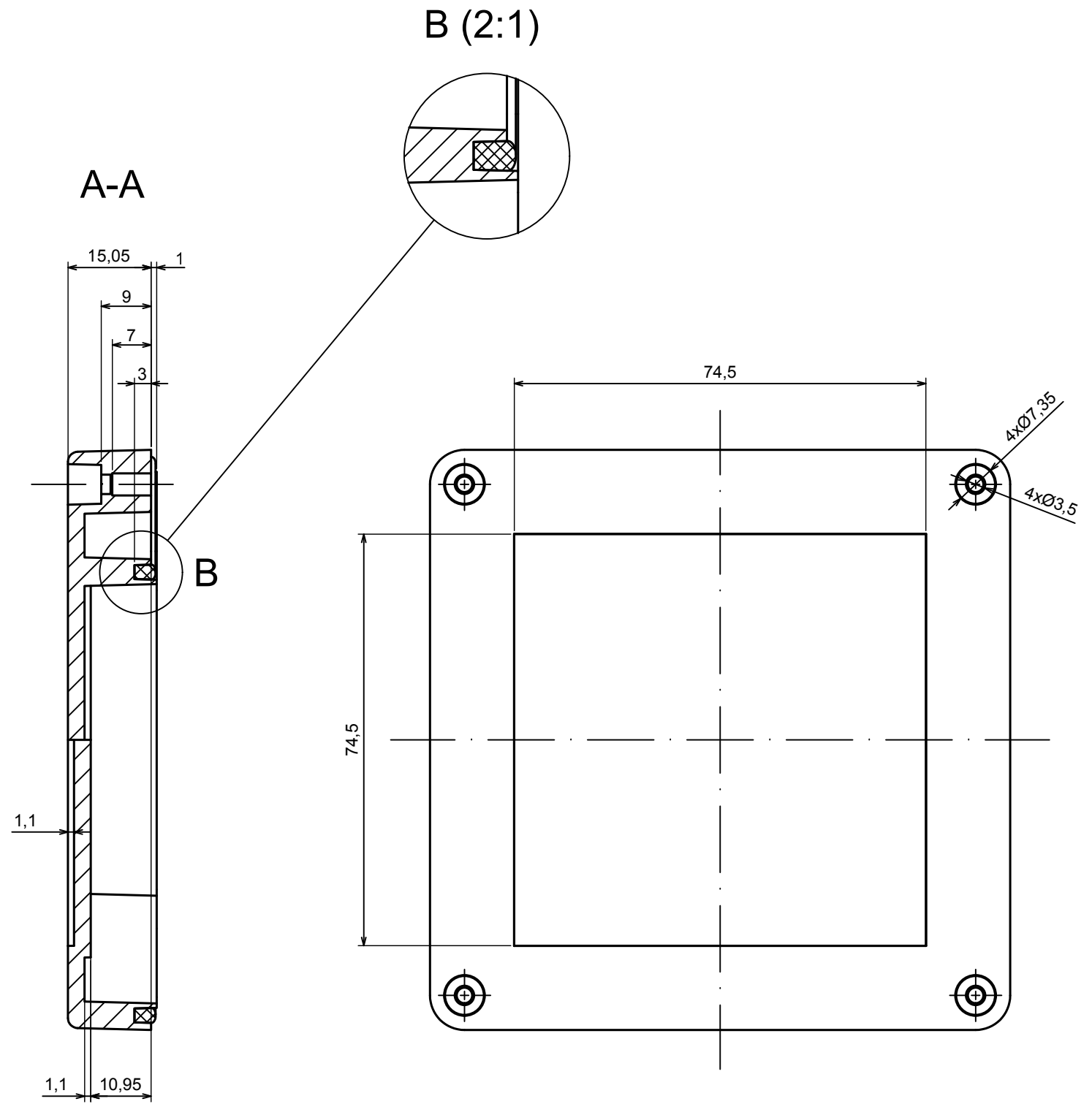
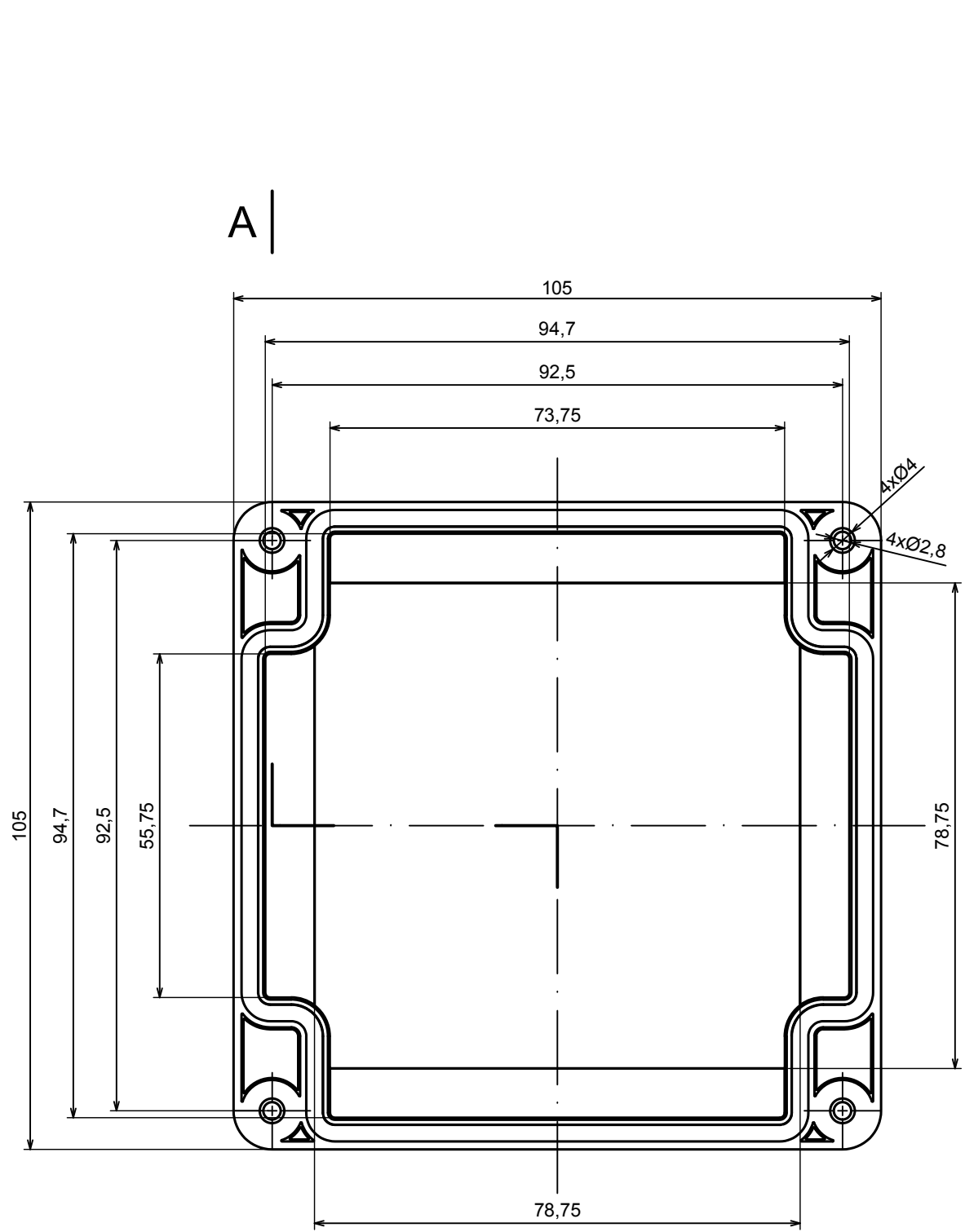
All rights reserved, Copyright Kradox 2018

Product model Enclosure ZP105.105.60SJ\_TM2 - Base ZP105.105.45J\_TM2

Format: A3 Material: PC, ABS

Scale 1:1 Tolerance: +/- 0.6





A |

All rights reserved, Copyright Kradox 2018	
Product model	Enclosure ZP105.105.60SJ_TM2 - Cover PZ105.105.15SJ
Format: A3	Material: PC, ABS
Scale 1:1	Tolerance: +/- 0.6

