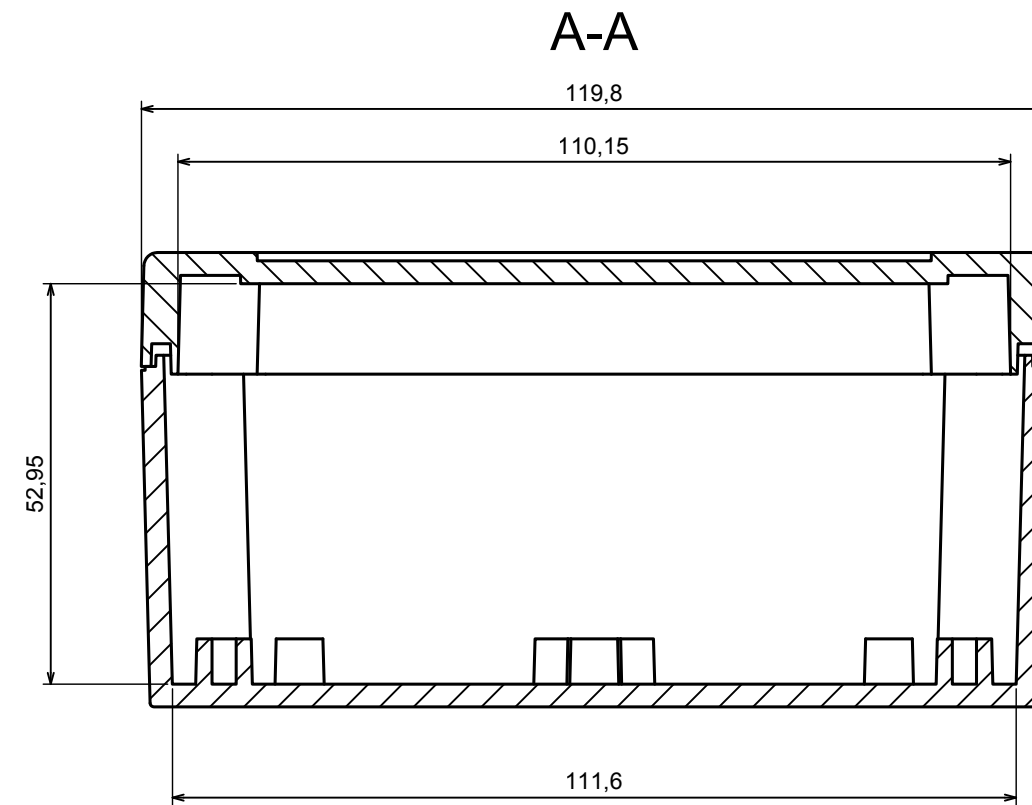
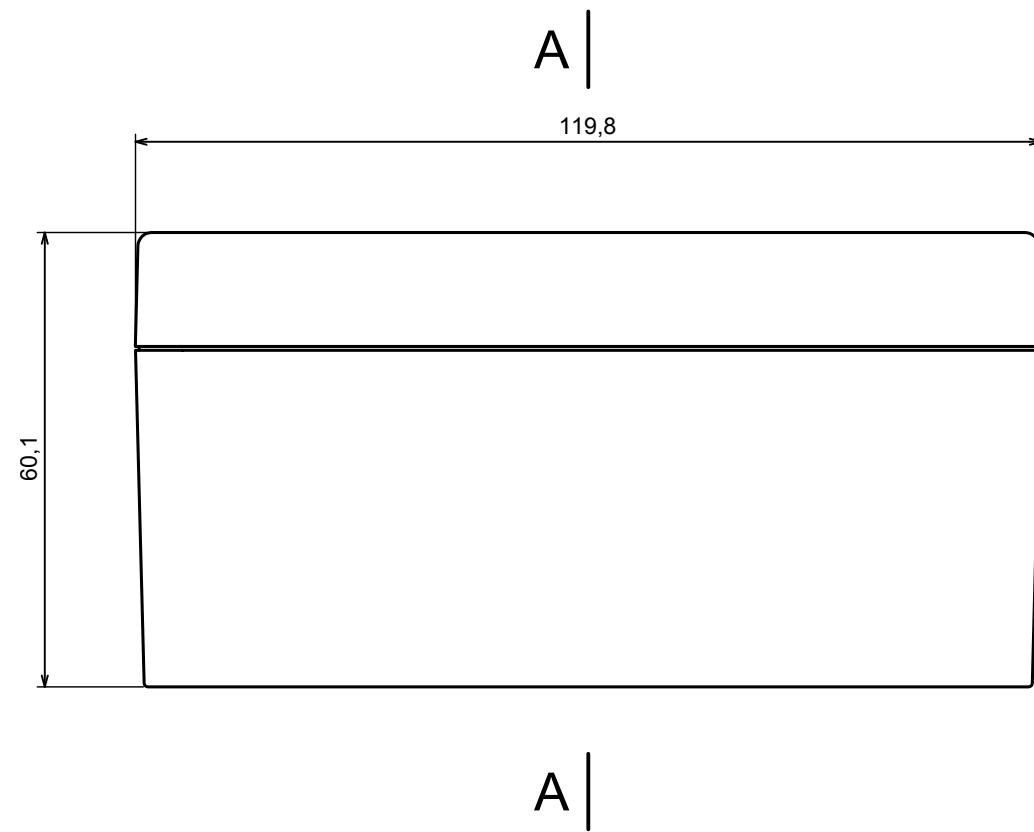


Typ: 60.1 x 119.8 x 119.8 mm



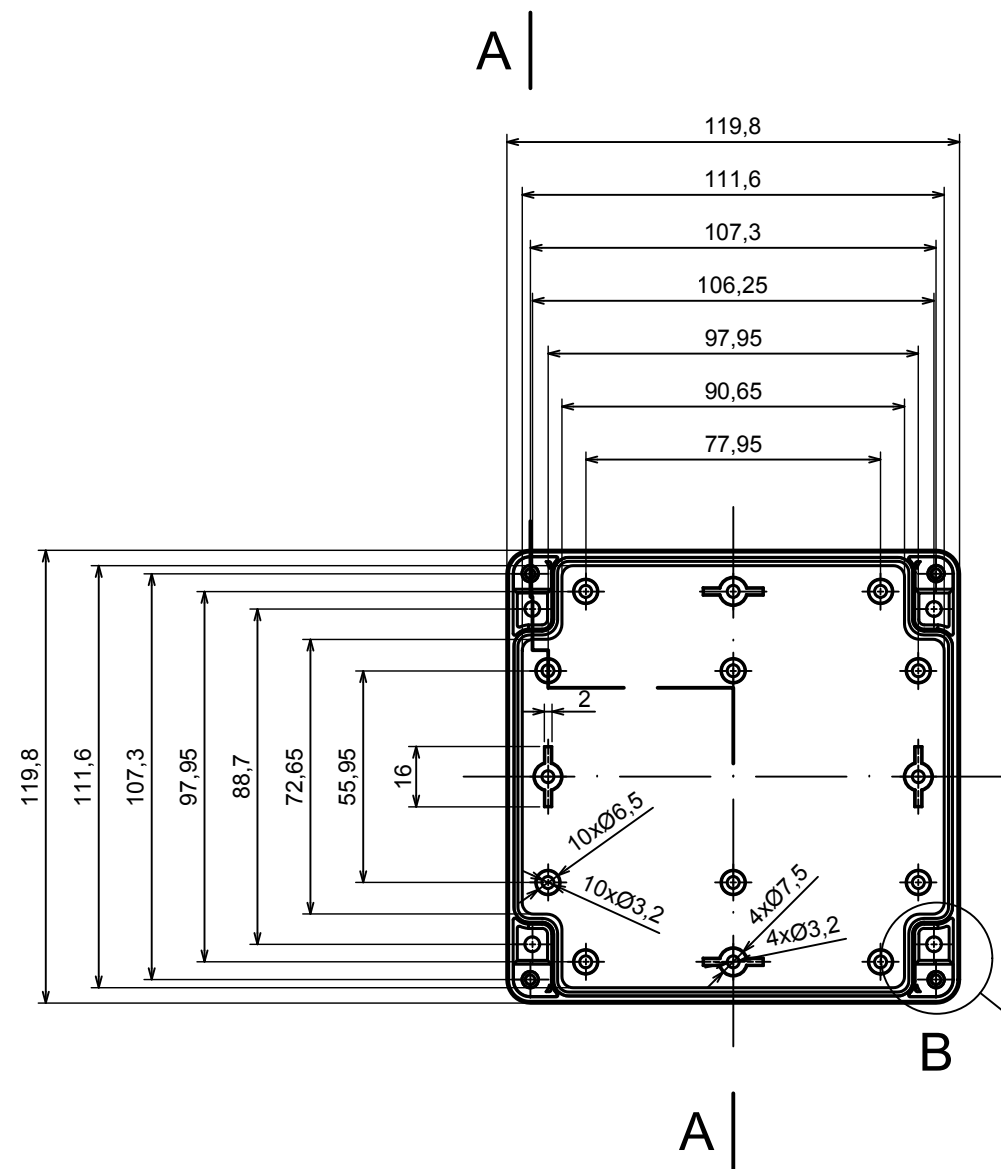
All rights reserved, Copyright Kradox 2018

Product model Enclosure ZP120.120.60J_TM - Assembly

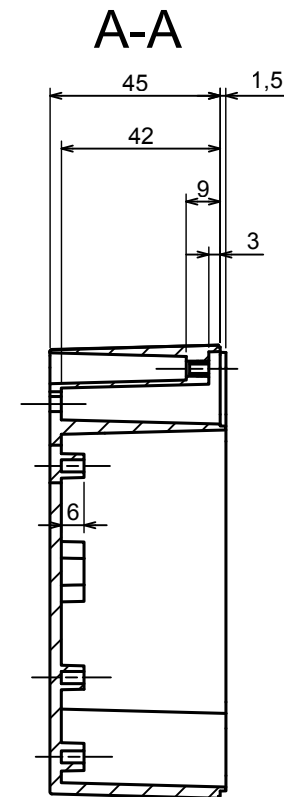
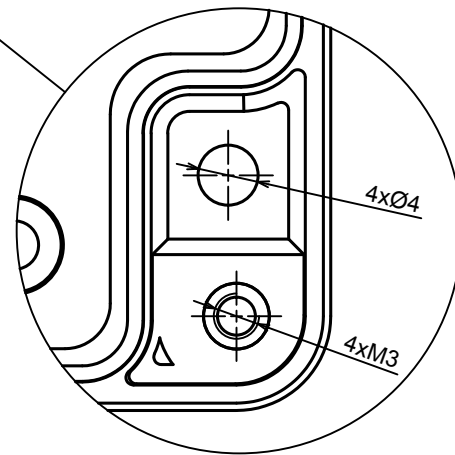
Format: A3 Material: PC, ABS

Scale 1:1 Tolerance: +/- 0.6





B (2:1)



All rights reserved, Copyright Kradex 2018

Product model: Enclosure ZP120.120.60J_TM - Base ZP120.120.45J_TM

Format: A3 Material: PC, ABS

Scale 1:2 Tolerance: +/- 0.6



