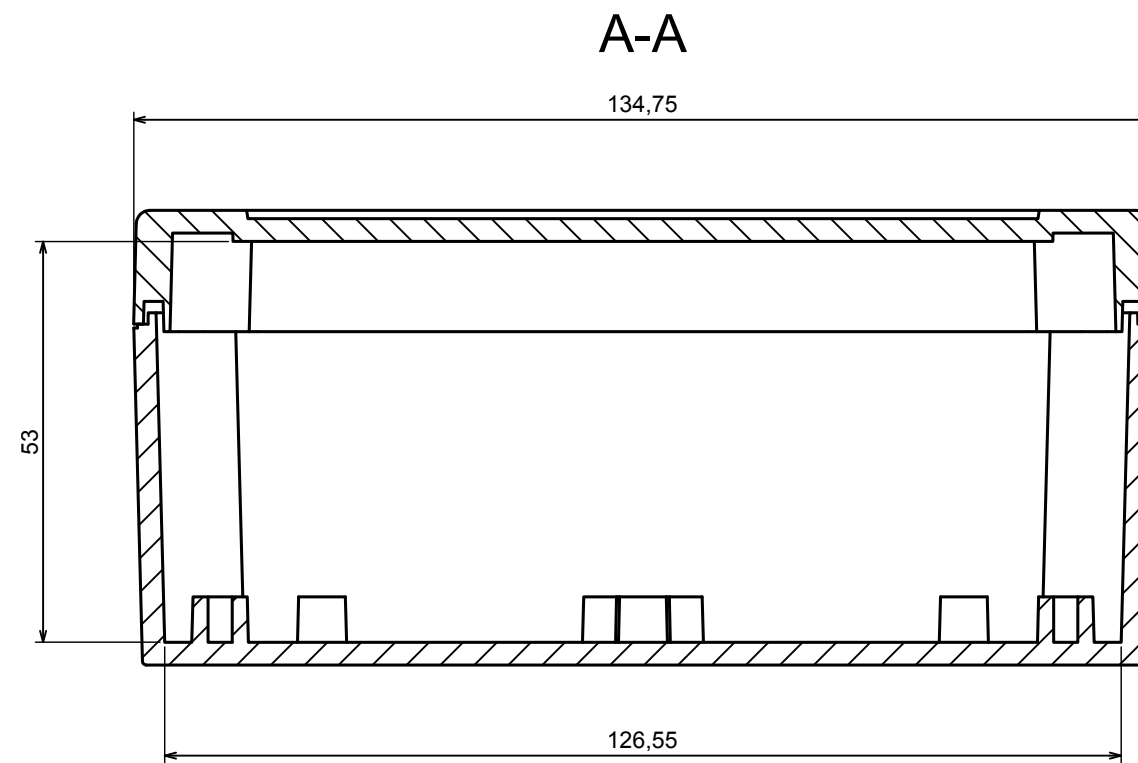
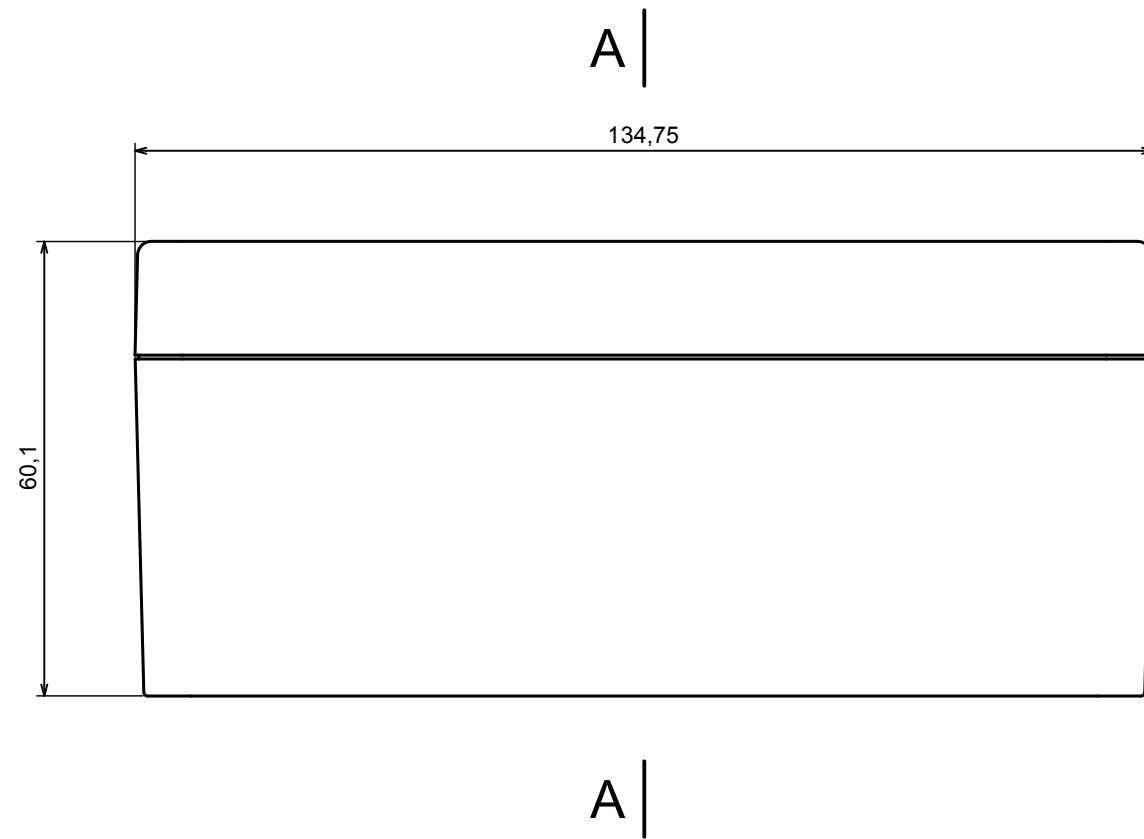


Typ: 60.1 x 134.8 x 134.8 mm



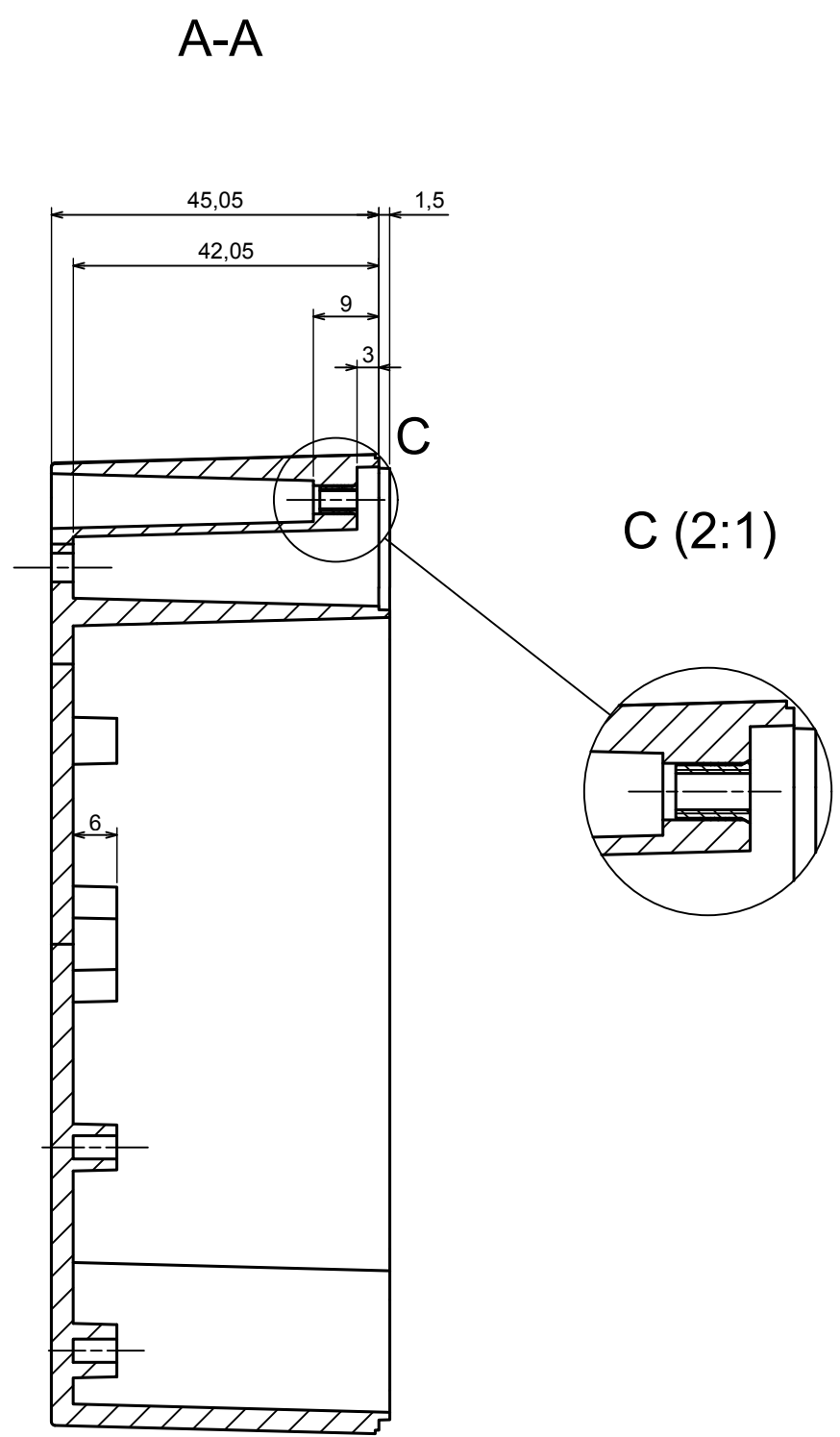
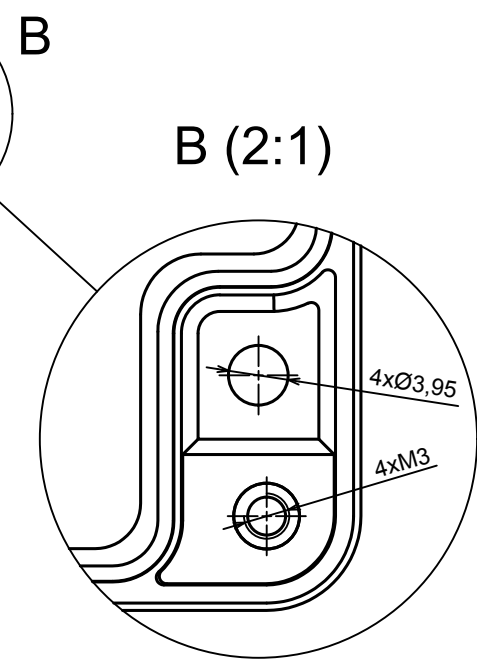
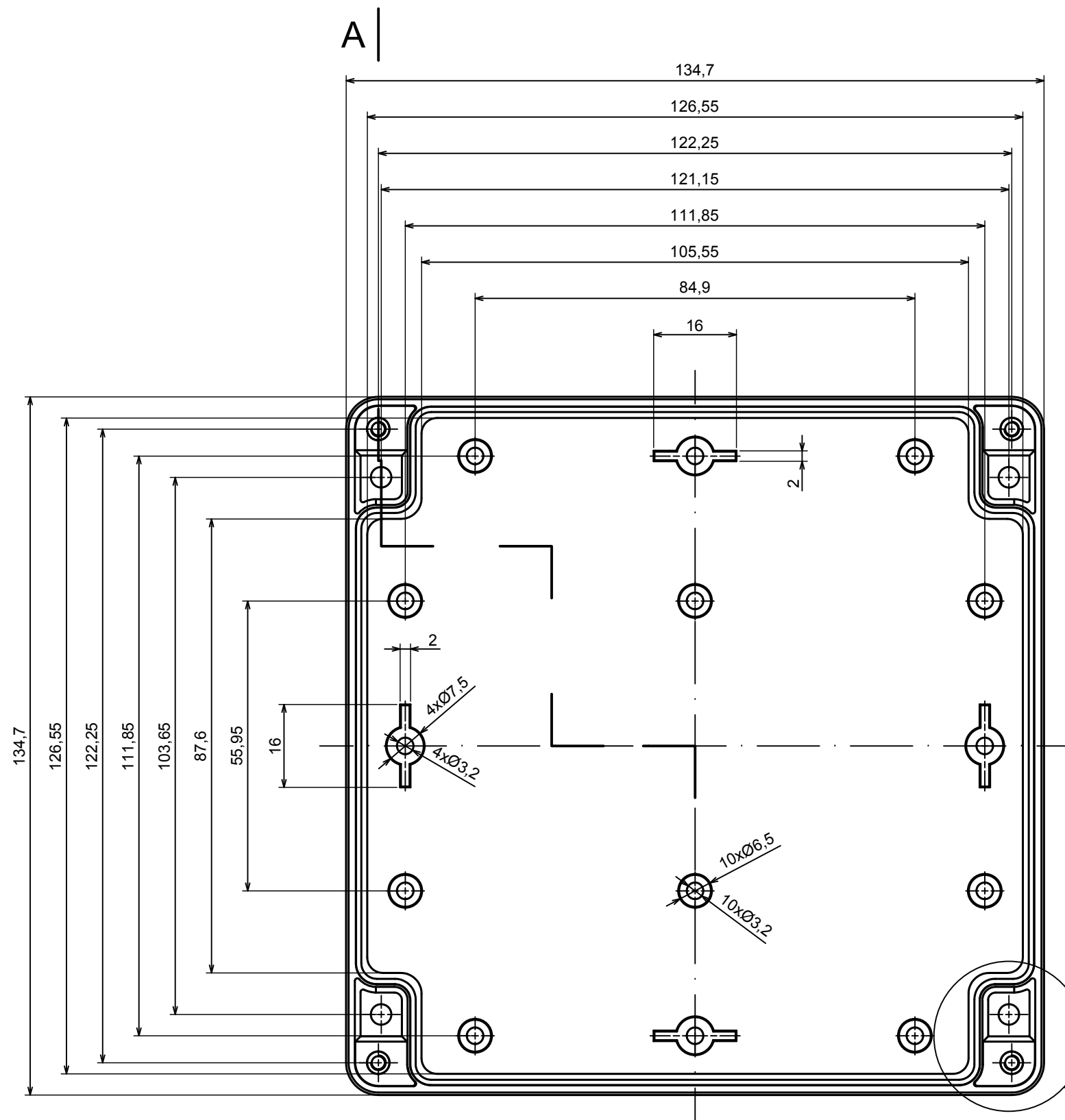
All rights reserved, Copyright Kradex 2018

Product model Enclosure ZP135.135.60J TM - Assembly

Format: A3 Material: PC, ABS

Scale 1:1 Tolerance: +/- 0.6





A |

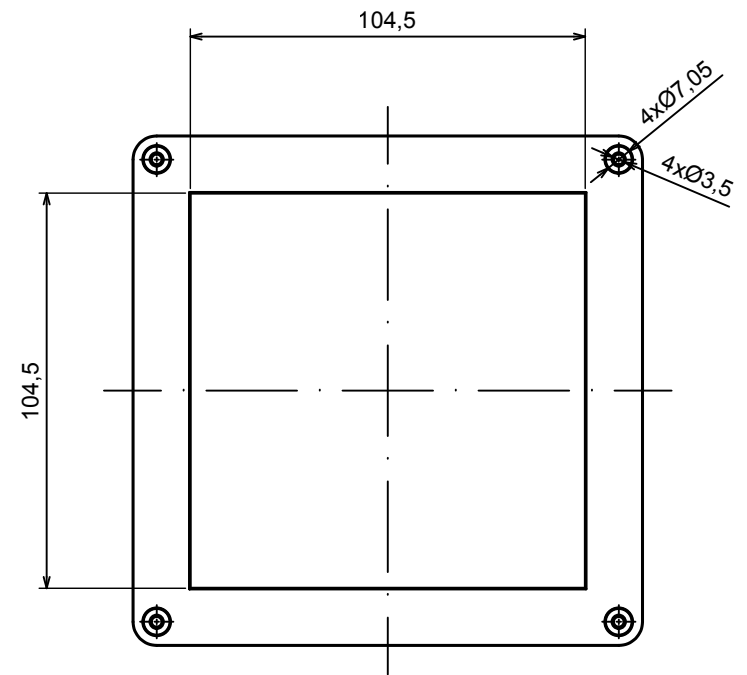
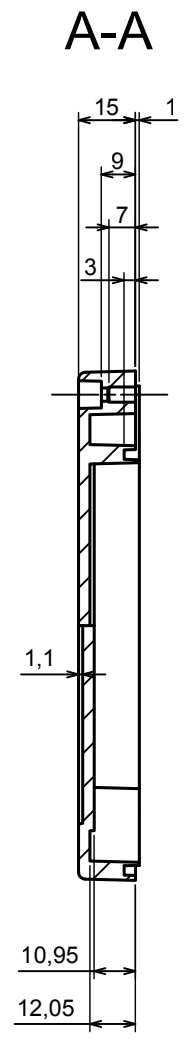
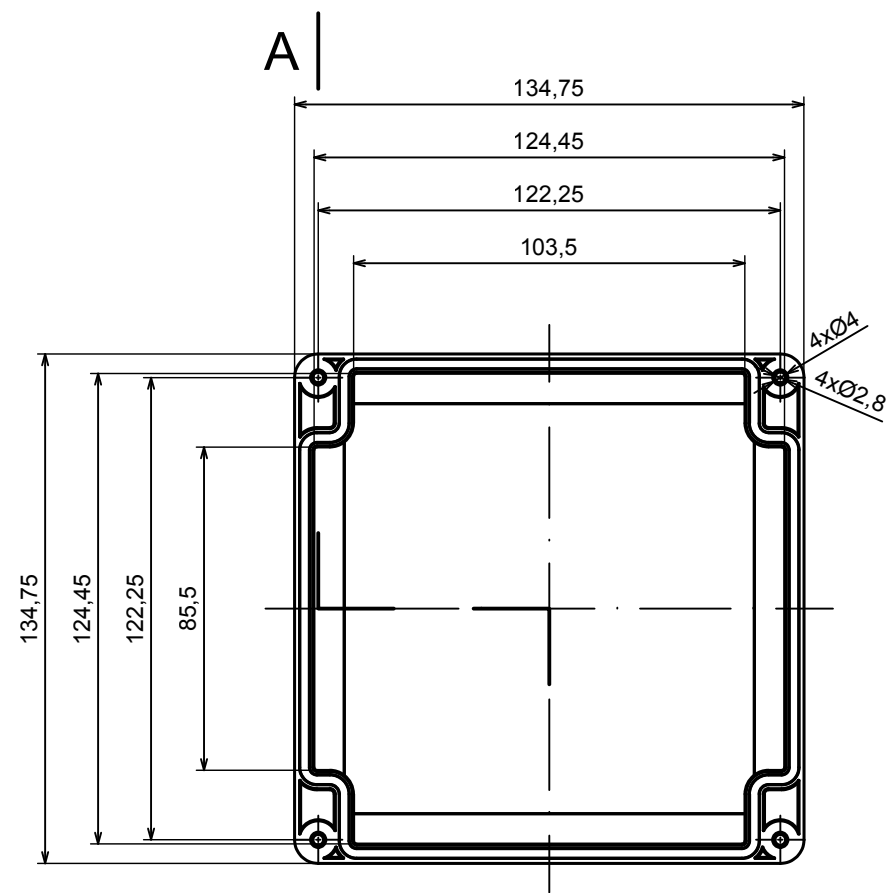
B (2:1)

A-A


C (2:1)

All rights reserved, Copyright Kradox 2018	
Product model	Enclosure ZP135.135.60J TM - Base ZP135.135.45J TM
Format: A3	Material: PC, ABS
Scale 1:1	Tolerance: +/- 0.6





A |

All rights reserved, Copyright Kradox 2018		
Product model	Enclosure ZP135.135.60J TM - Cover ZP135.135.15J	
Format: A3	Material: PC, ABS	
Scale 1:2	Tolerance: +/- 0.6	