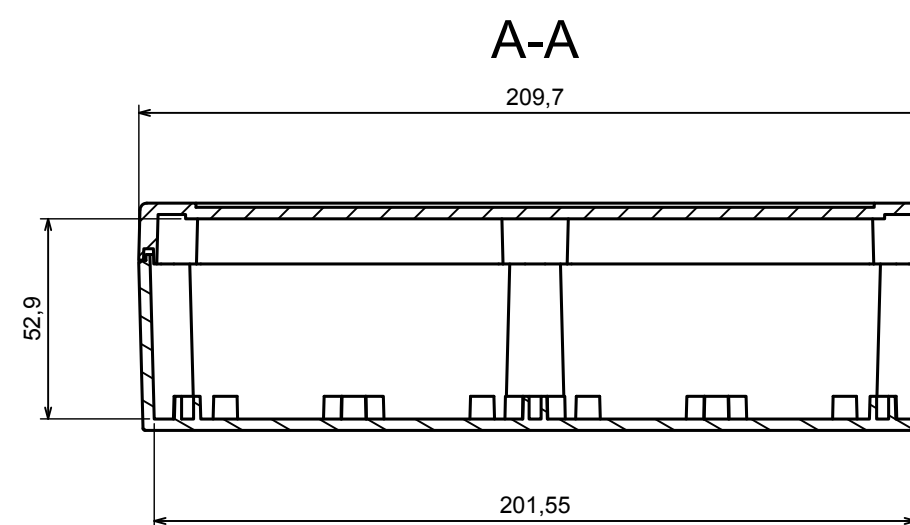
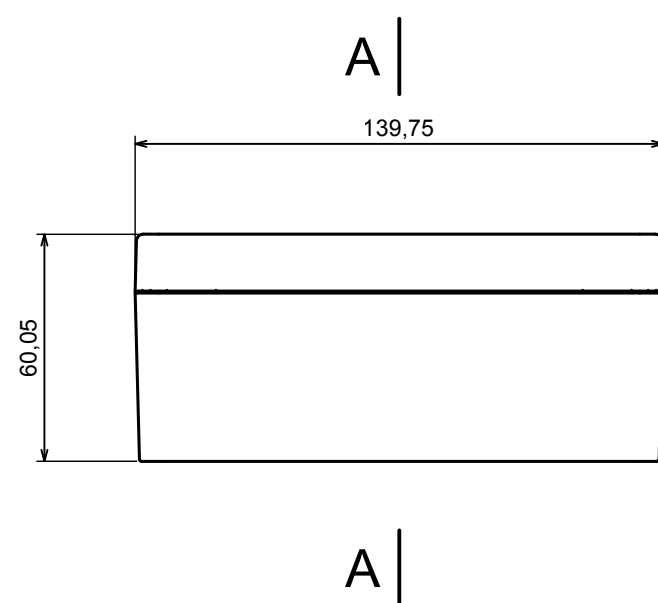

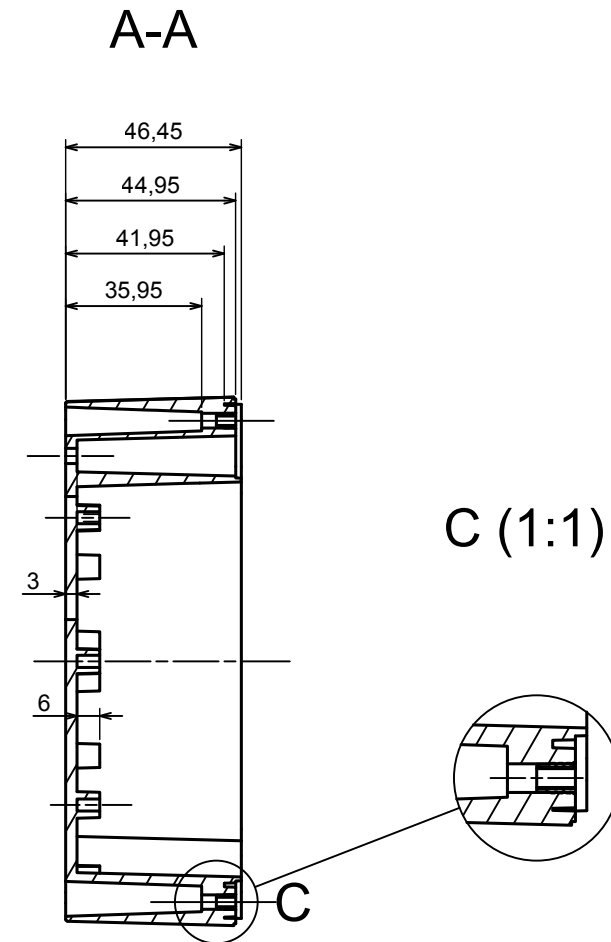
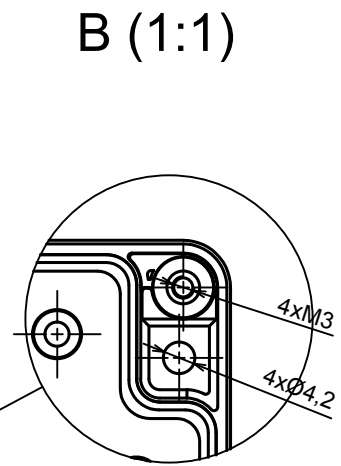
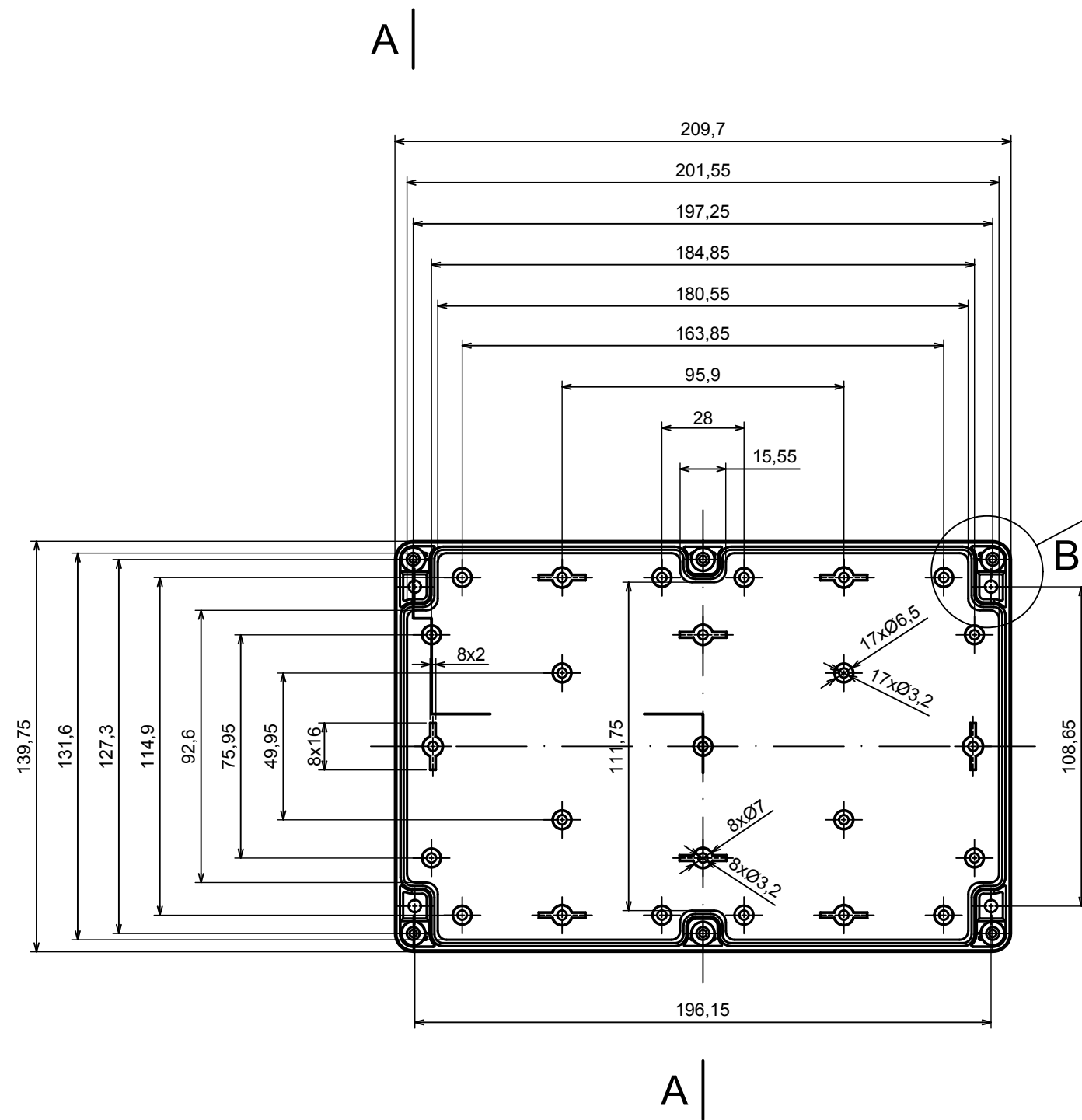


Typ: 52.9 x 209.7 x 139.8 mm



All rights reserved, Copyright Kradex 2018		
Product model	Enclosure ZP210.140.60J_TM - Assembly	
Format: A3	Material: PC, ABS	
Scale 1:2	Tolerance: +/- 0.5	



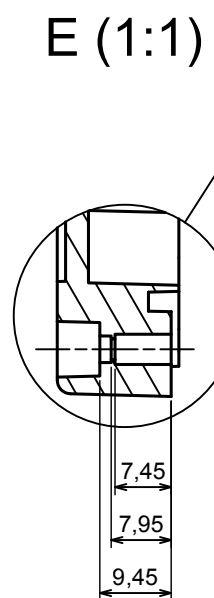
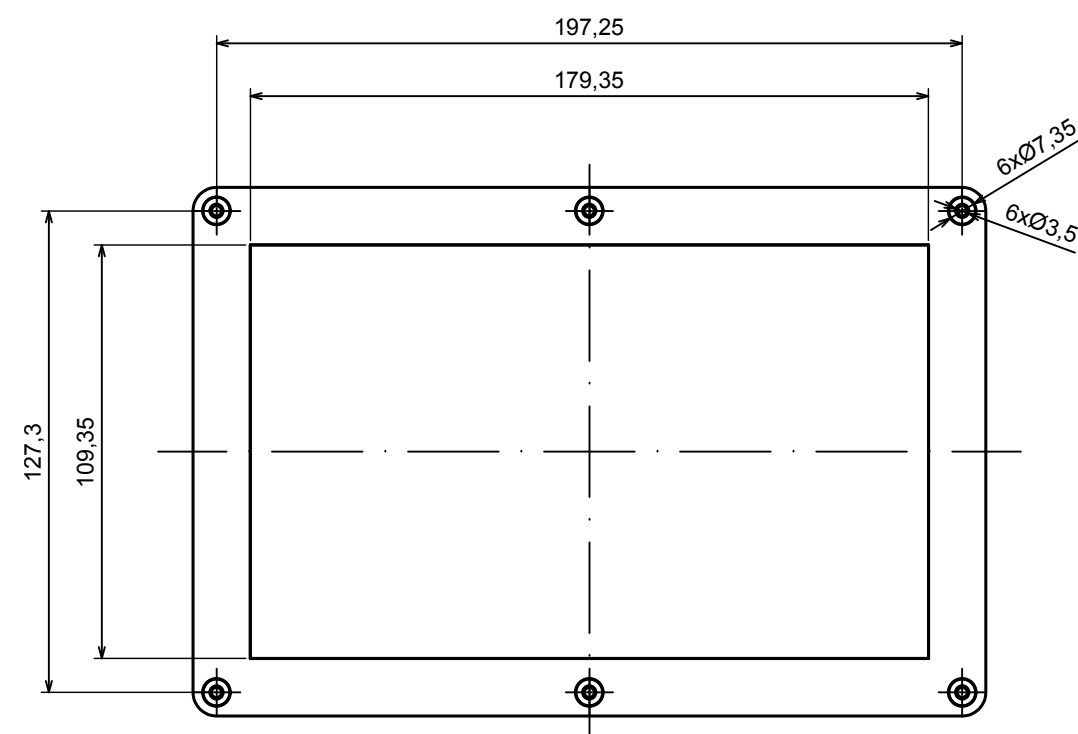
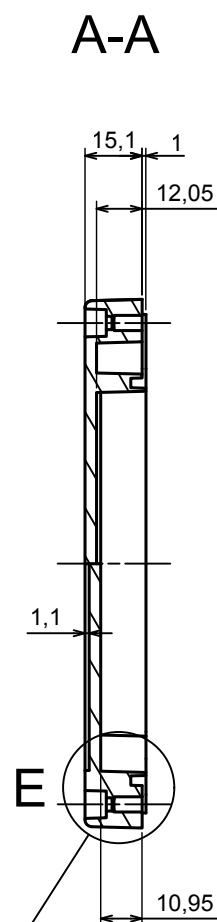
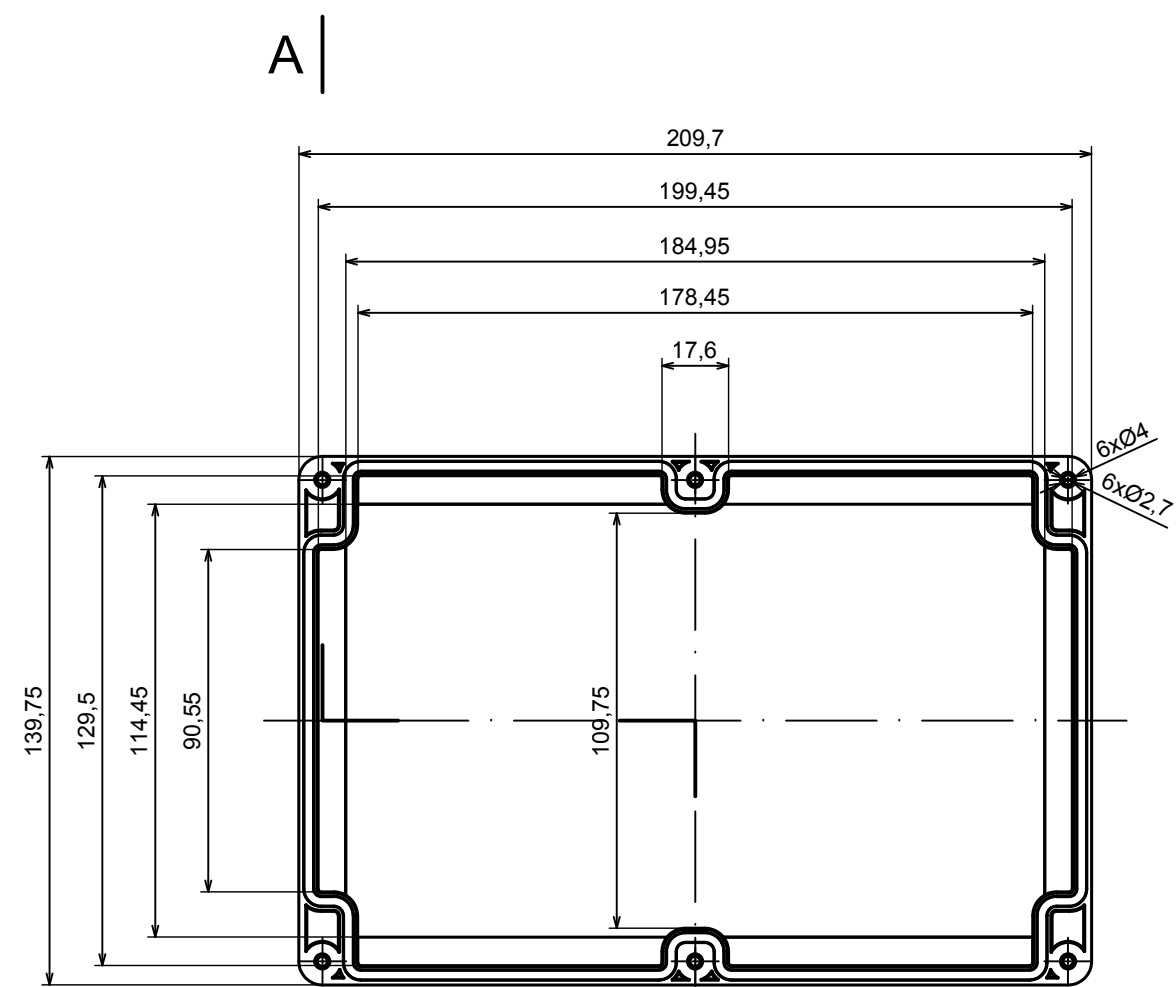
All rights reserved, Copyright Kradox 2018

Product model: Enclosure ZP210.140.60J_TM - Base ZP210.140.45 TM

Format: A3 Material: PC, ABS

Scale 1:2 Tolerance: +/- 0.5





All rights reserved, Copyright Kradex 2018

Product model Enclosure ZP210.140.60J_TM - Cover ZP210.140.15J

Format: A3 Material: PC, ABS

Scale 1:2 Tolerance: +/- 0.5

